



**BREVINI<sup>®</sup>**

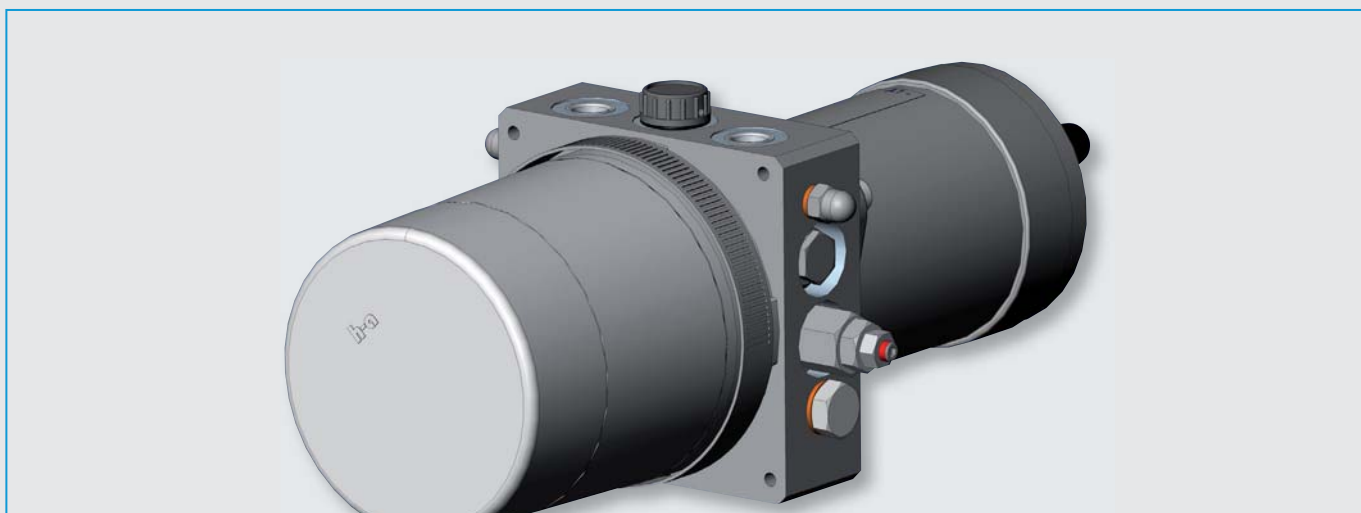
*Motion Systems*

## MW HYDRAULIC POWER UNIT

**Technical Catalogue**

January  
**2018**

*web edition*



© 2018 Dana Brevini S.p.A. All rights reserved. Hydr-App, SAM Hydraulik, Aron, Brevini Hydraulics, BPE Electronics, VPS Brevini, OT Oiltechnology, logos are trademarks or are registered trademarks of Dana Brevini S.p.A. or other companies of the Dana Group in Italy and other countries.

The technical features supplied in this catalogue are non binding and no legal action can be taken against such material. Dana Brevini will not be held responsible for information and specifications which may lead to error or incorrect interpretations. Given the continuous technical research aimed at improved technical features of our products, Dana Brevini reserves the right to make change that are considered appropriate without any prior notice. This catalogue cannot be reproduced (in whole or in part) without the prior written consent of Dana Brevini. This catalogue supersedes all previous ones.

Use of the products in this catalogue must comply with the operating limits given in the technical specifications. The type of application and operating conditions must be assessed as normal or in malfunction in order to avoid endangering the safety of people and/or items.

# MW HYDRAULIC POWER UNIT

## ORDERING CODE

MW\* - A\* / A\* - P\* - M\*\* - T\*\* - F\*

| Hydraulic power unit type |   | Page |
|---------------------------|---|------|
| <b>MW</b>                 | Standard  | 2    |
| <b>MW1</b>                | With cylinder differential volume drain and manual override | 3    |
| <b>MW2</b>                | With cylinder differential volume drain                     | 4    |

|          |   |
|----------|---|
| <b>A</b> | Pressure relief valve on <b>P1</b> (screw adjustment) |
|----------|---|

| Setting range |              | Page |
|---------------|--------------|------|
| <b>A</b>      | 25 ÷ 80 bar  | 2    |
| <b>B</b>      | 75 ÷ 220 bar |      |
| <b>C</b>      | 5 ÷ 30 bar   |      |

|          |   |
|----------|---|
| <b>A</b> | Pressure relief valve on <b>P2</b> (screw adjustment) |
|----------|---|

| Setting range |              | Page |
|---------------|--------------|------|
| <b>A</b>      | 25 ÷ 80 bar  | 2    |
| <b>B</b>      | 75 ÷ 220 bar |      |
| <b>C</b>      | 5 ÷ 30 bar   |      |

|          |                      |
|----------|----------------------|
| <b>P</b> | Reverse pump PHV 0.5 |
|----------|----------------------|

| Nominal displacement |             | Page |
|----------------------|-------------|------|
| <b>A</b>             | 0.25 cc/rev | 5    |
| <b>B</b>             | 0.45 cc/rev |      |
| <b>C</b>             | 0.56 cc/rev |      |
| <b>D</b>             | 0.75 cc/rev |      |
| <b>J</b>             | 0.92 cc/rev |      |
| <b>Z</b>             | 1.26 cc/rev |      |

| Mounting type |                        | Page                 |
|---------------|------------------------|----------------------|
| <b>0</b>      | Verticale without tank | 11<br>12<br>13<br>14 |
| <b>1</b>      | Horizontal             |                      |
| <b>2</b>      | Vertical               |                      |
| <b>3</b>      |                        |                      |
| <b>4</b>      |                        |                      |
| <b>5</b>      |                        |                      |

|          |                        |
|----------|------------------------|
| <b>F</b> | Mounting position tank |
|----------|------------------------|

| Tank type  |            | Page                       |
|------------|------------|----------------------------|
| <b>K05</b> | 0.5 liters | 11<br>12<br>12<br>13<br>13 |
| <b>K1</b>  | 1 liter    |                            |
| <b>H1</b>  | 1 liter    |                            |
| <b>Q1</b>  | 1 liter    |                            |
| <b>Q2</b>  | 2 liters   |                            |
| <b>01</b>  | 1 liter    | 14                         |
| <b>02</b>  | 2 liters   |                            |
| <b>03</b>  | 3 liters   |                            |
| <b>05</b>  | 5 liters   |                            |
| <b>06</b>  | 6 liters   |                            |
| <b>08</b>  | 8 liters   |                            |

|          |      |
|----------|------|
| <b>T</b> | Tank |
|----------|------|

|                  |                          |              |
|------------------|--------------------------|--------------|
| <b>0-5-6-7-8</b> | Mounting position motors | Pages 8-6-10 |
|------------------|--------------------------|--------------|

| DC motors |                  | Page | AC motors |         | Page |
|-----------|------------------|------|-----------|---------|------|
| <b>GA</b> | 12V CC - 0.35 kW | 6    | <b>R</b>  | Size 63 | 10   |
| <b>GB</b> | 24V CC - 0.40 kW | 6    | <b>L</b>  | Size 71 | 10   |
| <b>HF</b> | 12V CC - 0.50 kW | 7    | <b>M</b>  | Size 80 | 10   |
| <b>HE</b> | 24V CC - 0.50 kW | 7    |           |         |      |
| <b>GC</b> | 12V CC - 0.70 kW | 8    |           |         |      |
| <b>GD</b> | 24V CC - 0.80 kW | 8    |           |         |      |
| <b>GU</b> | 12V CC - 0.80 kW | 9    |           |         |      |
| <b>GZ</b> | 24V CC - 0.80 kW | 9    |           |         |      |

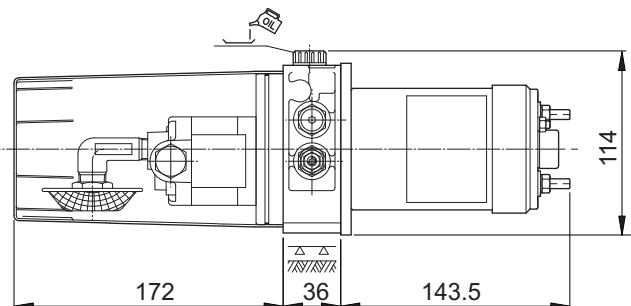
|          |              |
|----------|--------------|
| <b>M</b> | DC/AC motors |
|----------|--------------|

## ORDERING CODE EXAMPLE

**MW- AA/AA- PB- MGB5- TK1-F1**

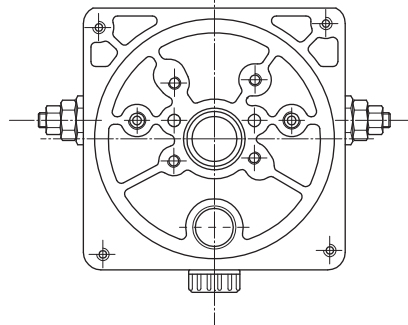
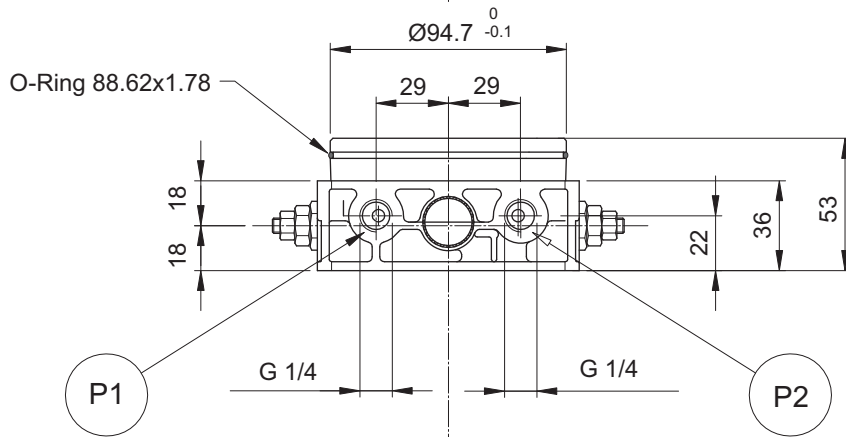
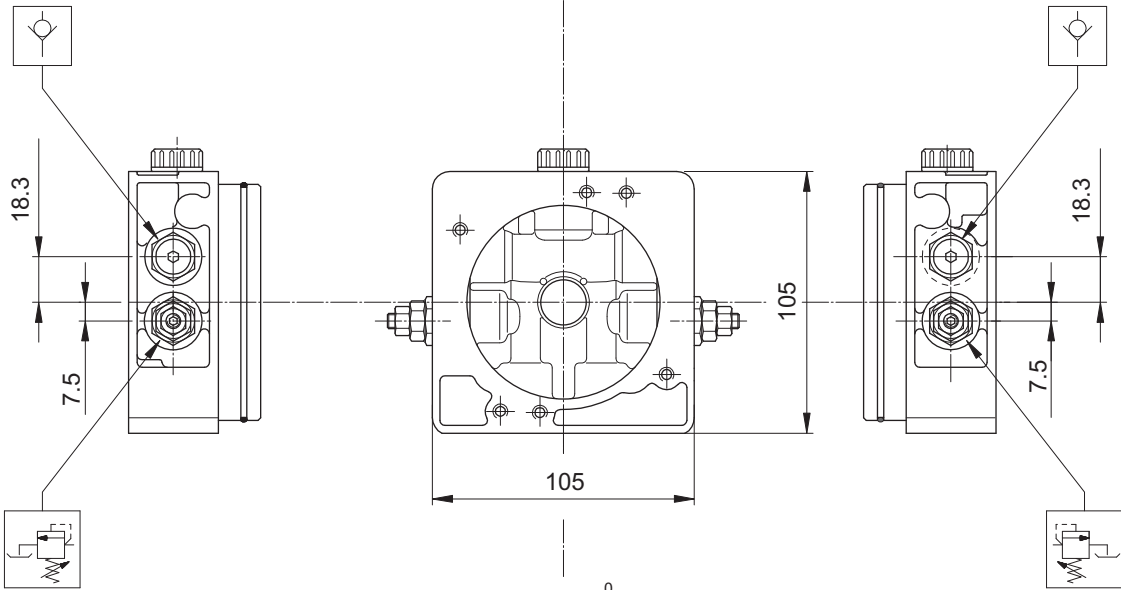
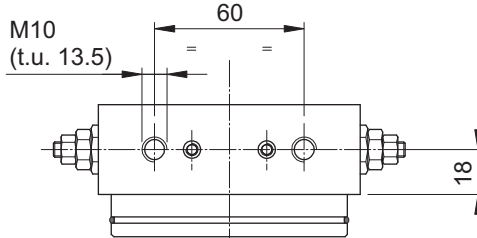
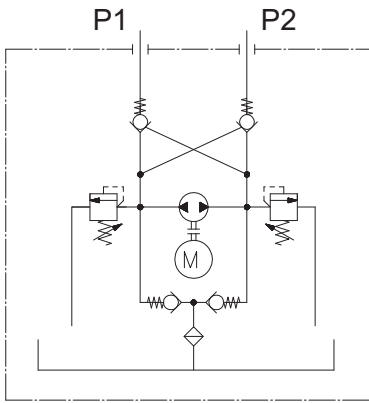
Hydraulic power unit type MW reversible type, with pressure relief valve on P1, setting 25 to 80 bar with adjustable screw, pressure relief valve on P2 setting 25 to 80 bar with adjustable screw, pump a 0.45 cc/rev, DC motor 24 Volt 0.4 kW in standard mounting position, standard 1-liter fuel tank mounted horizontally.

## STANDARD VERSION OVERALL DIMENSIONS



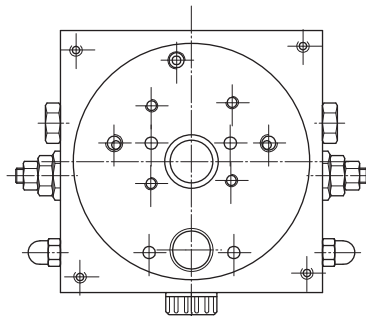
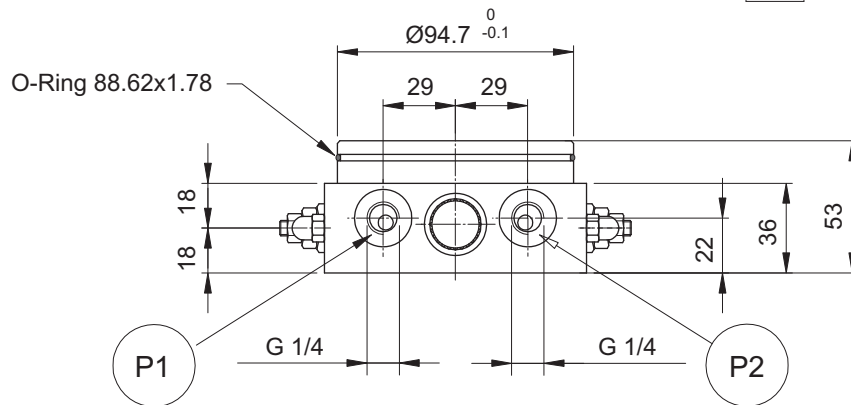
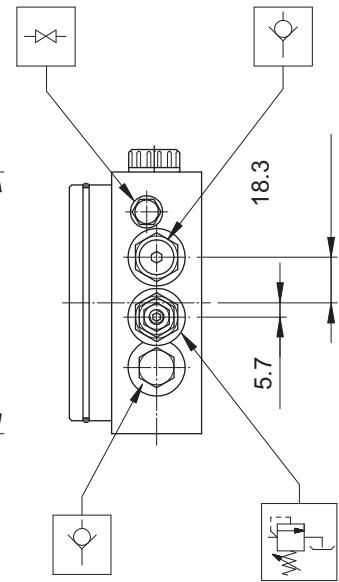
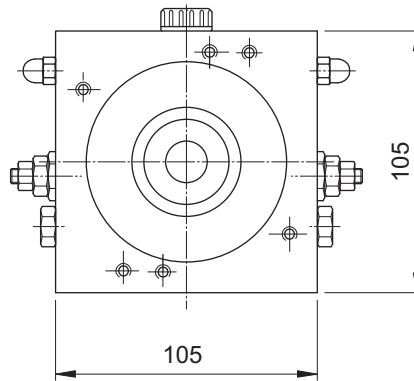
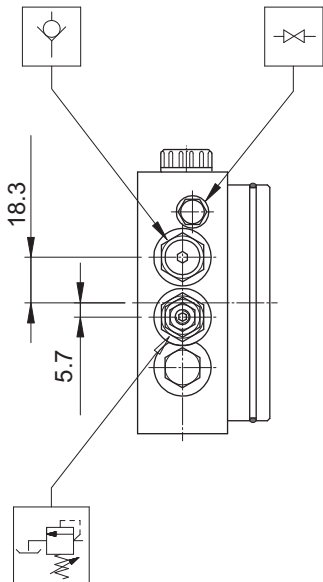
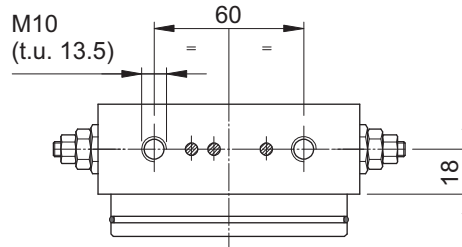
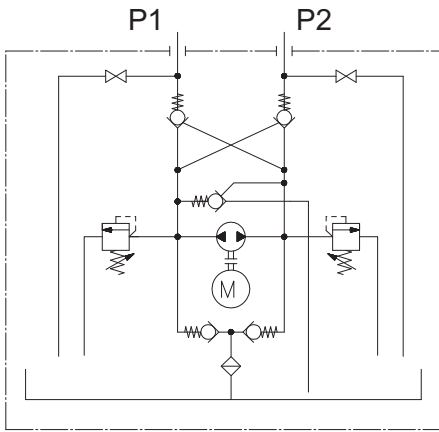
# MW HYDRAULIC POWER UNIT

## STANDARD VERSION



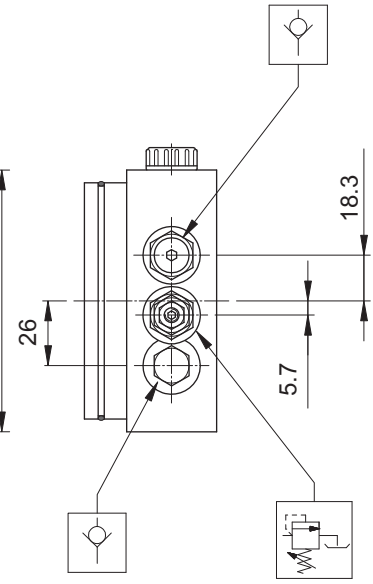
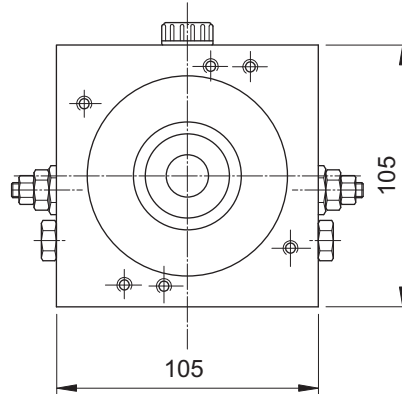
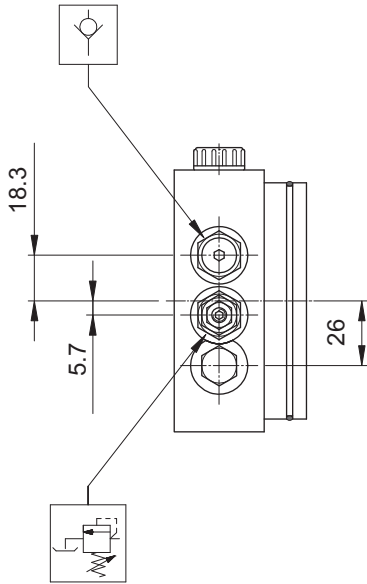
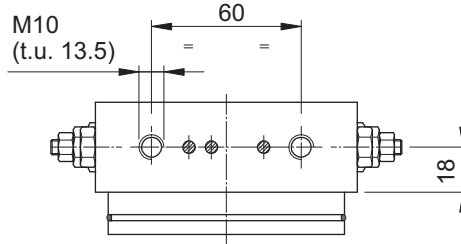
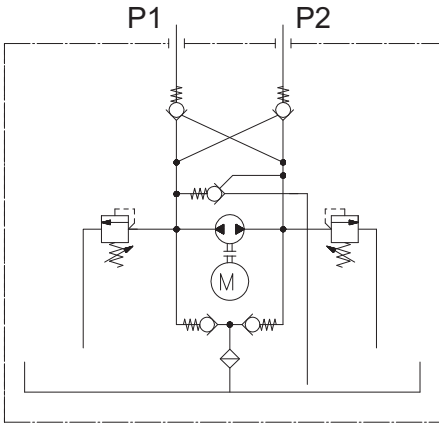
# MW1 HYDRAULIC POWER UNIT

WITH CYLINDER DIFFERENTIAL VOLUME DRAIN AND MANUAL OVERRIDE

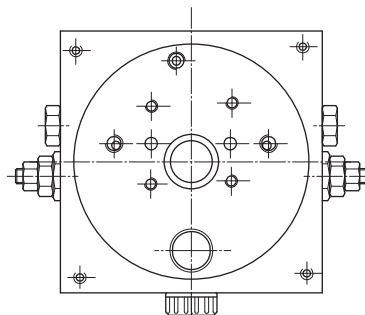
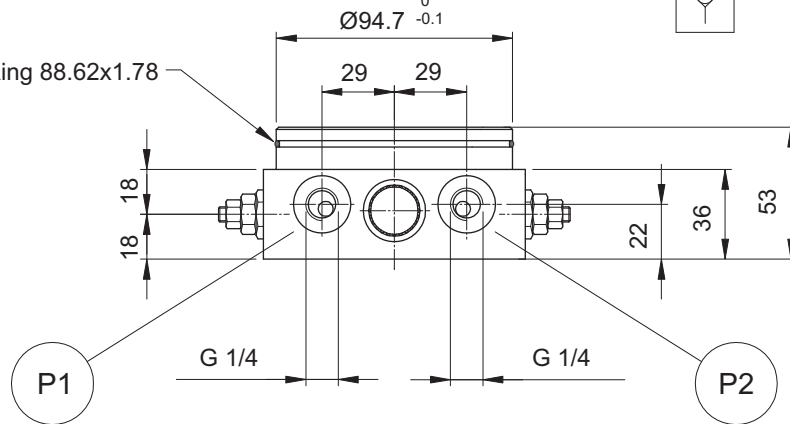


# MW2 HYDRAULIC POWER UNIT

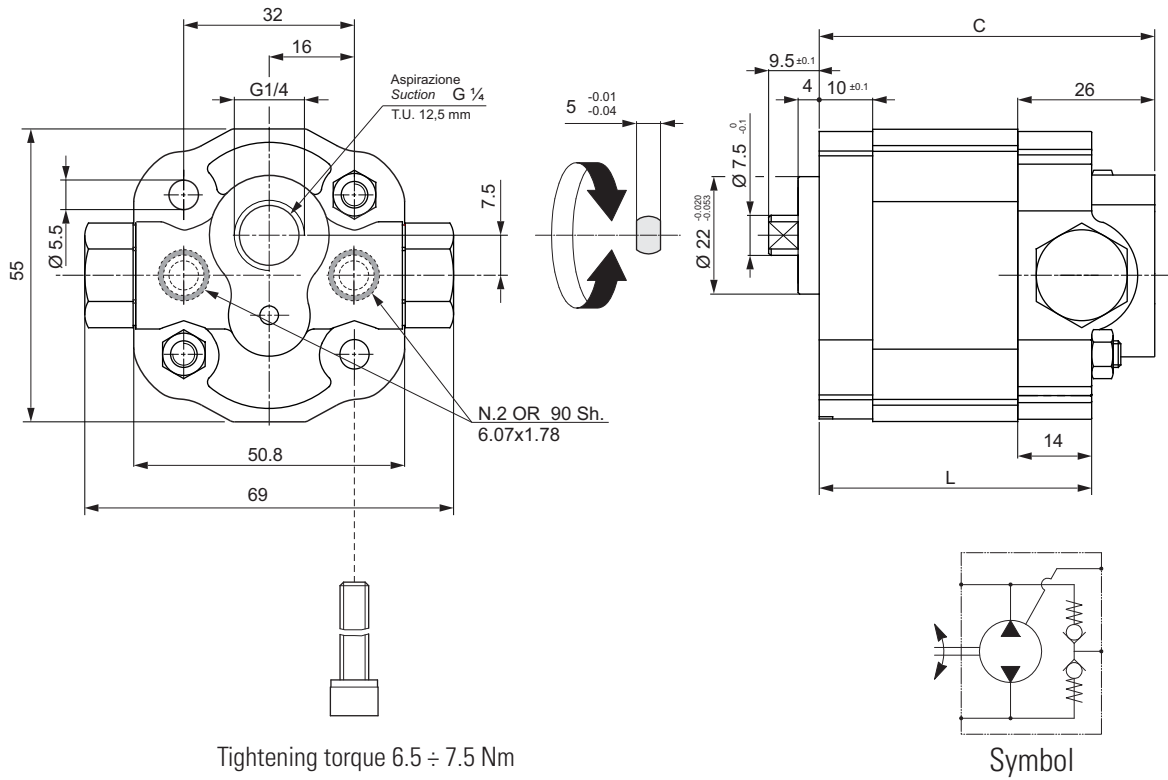
## WITH CYLINDER DIFFERENTIAL VOLUME DRAIN



O-Ring 88.62x1.78

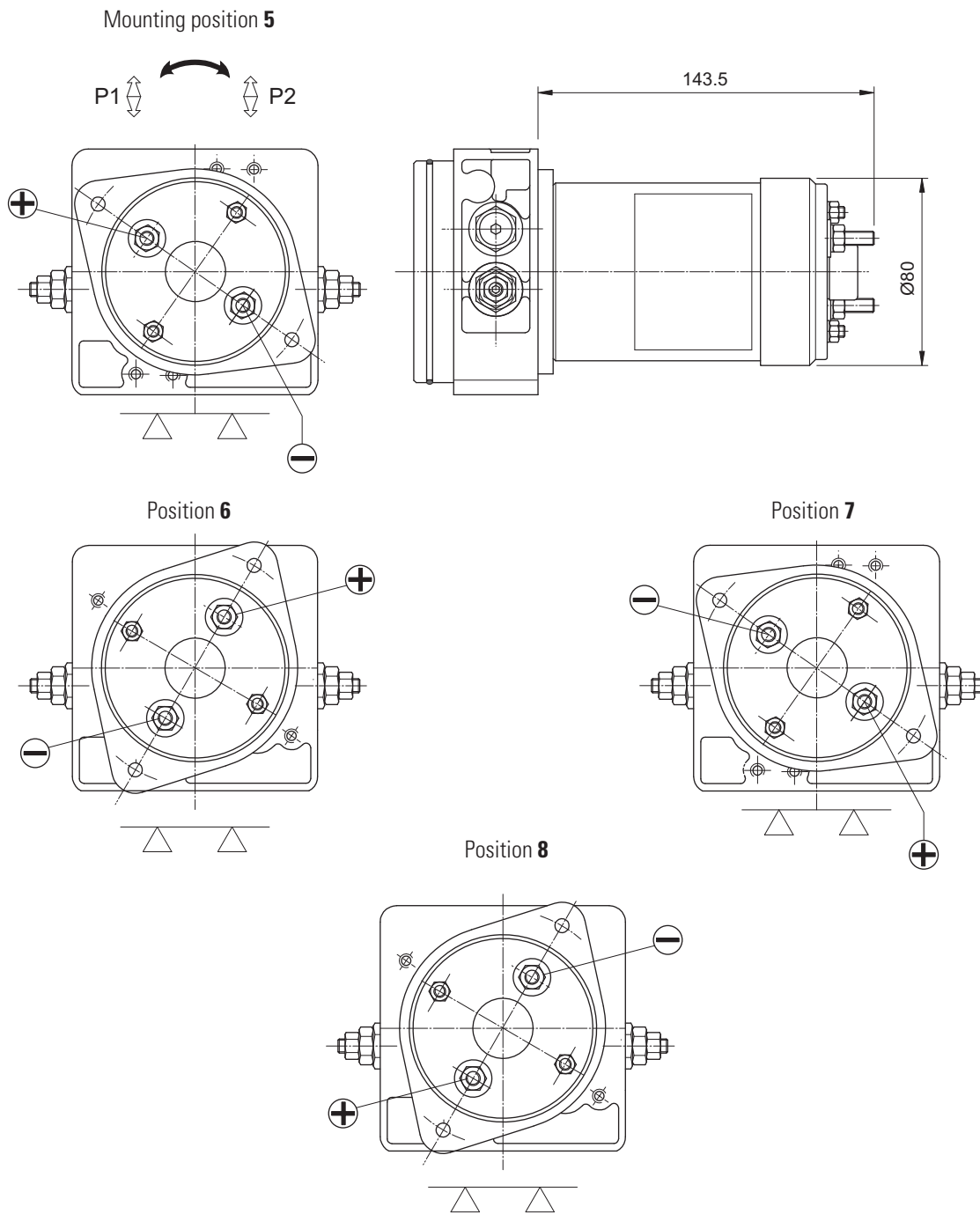


## PUMP GR 05 OVERALL DIMENSIONS



| Code | Nominal displacement (cc/rev) | C (mm) | L (mm) | Pump code    | Pump Kit code | Max working pressure (bar) | Peak pressure (bar) | Max RPM (rpm) |
|------|-------------------------------|--------|--------|--------------|---------------|----------------------------|---------------------|---------------|
| A    | 0.30                          | 61.5   | 49.5   | 23006700.036 | 17050062.036  | 210                        | 250                 | 7000          |
| B    | 0.50                          | 63.2   | 51.2   | 23006800.036 | 17050063.036  | 210                        | 250                 | 7000          |
| C    | 0.62                          | 64.2   | 52.2   | 23006900.036 | 17050064.036  | 210                        | 250                 | 6500          |
| D    | 0.84                          | 66.0   | 54.0   | 23007000.036 | 17050065.036  | 210                        | 250                 | 6500          |
| J    | 1.00                          | 67.3   | 55.3   | 23008800.036 | 17050066.036  | 210                        | 250                 | 6000          |
| Z    | 1.25                          | 69.4   | 57.4   | 23007100.036 | 17050067.036  | 210                        | 250                 | 6000          |

## 12VDC 0.35 KW / 24VDC 0.40 KW MOTORS



For more details, features and performances DC motors, see catalog Dana Brevini cod. DOC00053.

### ORDERING CODE

| M | ** | * | Code      | Description           | Motor    |
|---|----|---|-----------|-----------------------|----------|
|   |    |   | <b>GA</b> | 12VDC motor - 0.35 kW | 25021400 |
|   |    |   | <b>GB</b> | 24VDC motor - 0.40 kW | 25021500 |

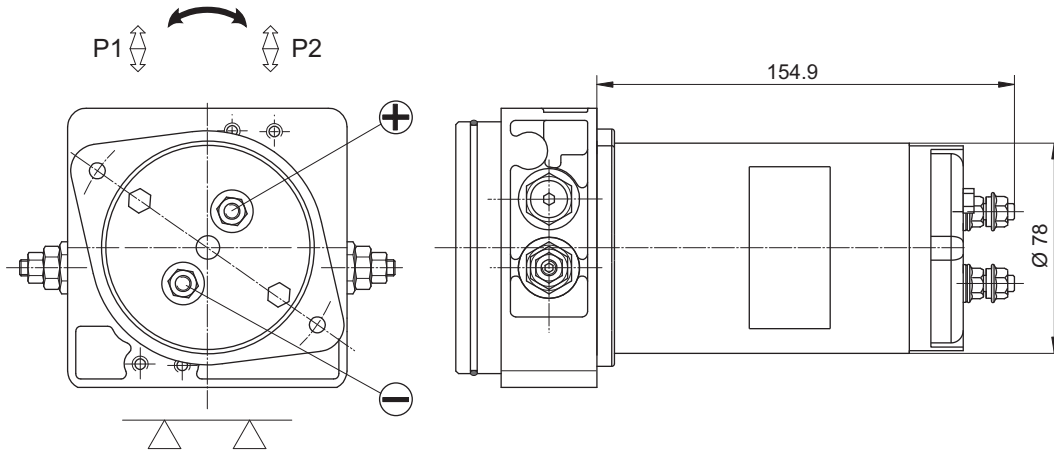
| M | ** | * | Code     | Mounting position |
|---|----|---|----------|-------------------|
|   |    |   | <b>5</b> | Position 5        |
|   |    |   | <b>6</b> | Position 6        |
|   |    |   | <b>7</b> | Position 7        |
|   |    |   | <b>8</b> | Position 8        |

- DC motors permanent magnet
- Rotation CCW-CW
- Protection class IP54
- Insulation class F

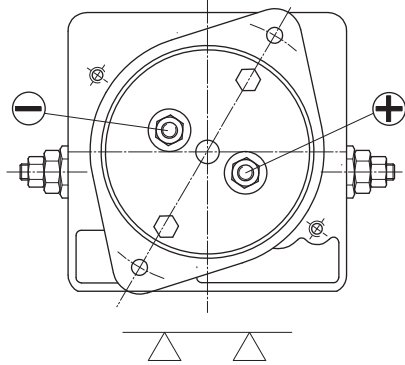


## 12VDC 0.50 KW / 24VDC 0.50 KW MOTORS

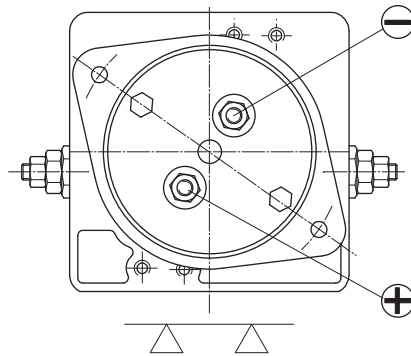
Mounting position 5



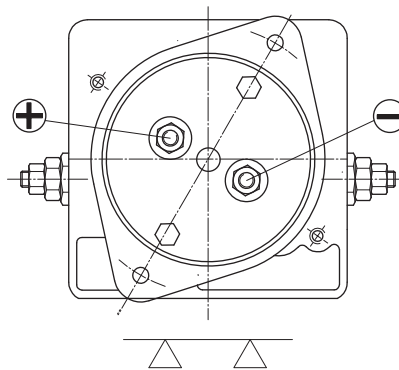
Position 6



Position 7



Position 8



For more details, features and performances DC motors, see catalog Dana Brevini cod. DOC00053.

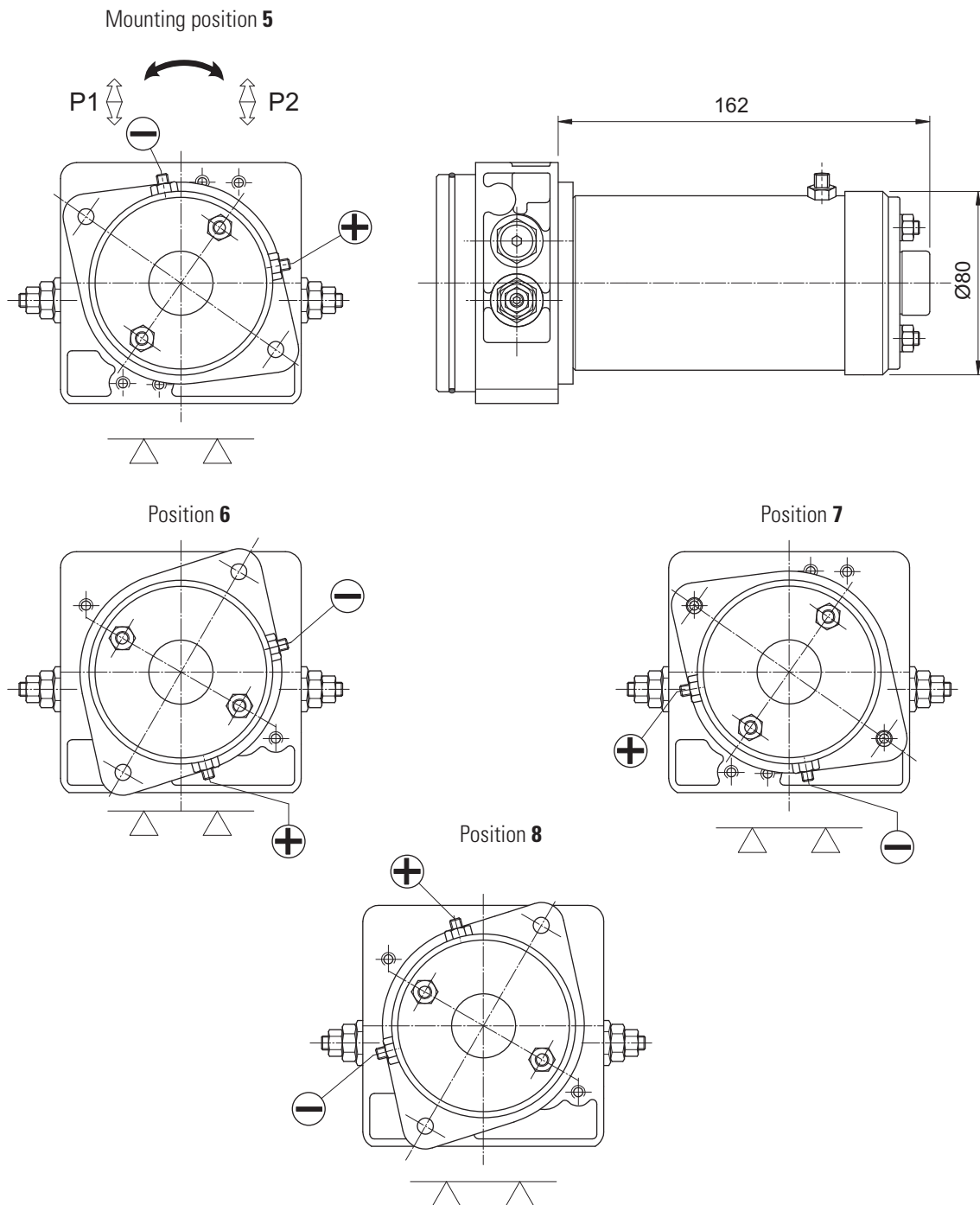
### ORDERING CODE

| M | ** | * | Code | Description           | Motor    |
|---|----|---|------|-----------------------|----------|
|   |    |   | HF   | Motor 12VDC - 0.50 kW | 25024200 |
|   |    |   | HE   | Motor 24VDC - 0.50 kW | 25024300 |

| M | ** | * | Code | Mounting position |
|---|----|---|------|-------------------|
|   |    |   | 5    | Position 5        |
|   |    |   | 6    | Position 6        |
|   |    |   | 7    | Position 7        |
|   |    |   | 8    | Position 8        |

- DC motors permanent magnet
- Rotation CCW-CW
- Protection class IP54
- Insulation class F

## 12VDC 0,7 KW / 24VDC 0,8 KW MOTORS



For more details, features and performances DC motors, see catalog Dana Brevini cod. DOC00053.

### ORDERING CODE

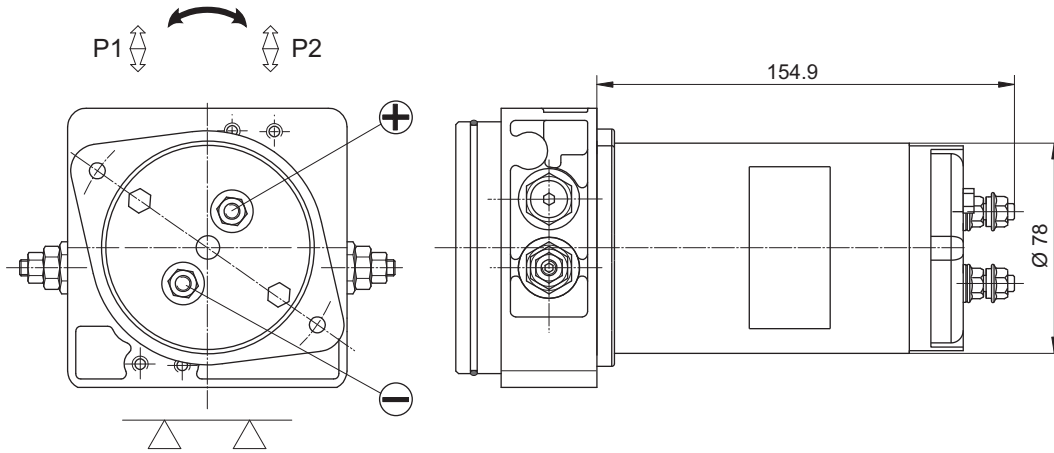
| M | ** | * | Code      | Description          | Motor    |
|---|----|---|-----------|----------------------|----------|
|   |    |   | <b>GC</b> | 12VDC motor - 0.7 kW | 25021600 |
|   |    |   | <b>GD</b> | 24VDC motor - 0.8 kW | 25021700 |

| M | ** | * | Code     | Mounting position |
|---|----|---|----------|-------------------|
|   |    |   | <b>5</b> | Position 5        |
|   |    |   | <b>6</b> | Position 6        |
|   |    |   | <b>7</b> | Position 7        |
|   |    |   | <b>8</b> | Position 8        |

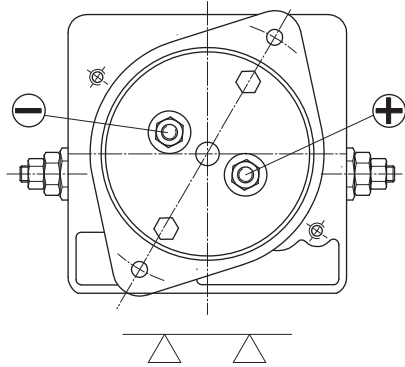
- DC motors permanent magnet
- Rotation CCW-CW
- Protection class IP54
- Insulation class F

## 12VDC 0.80 KW / 24VDC 0.80 KW MOTORS

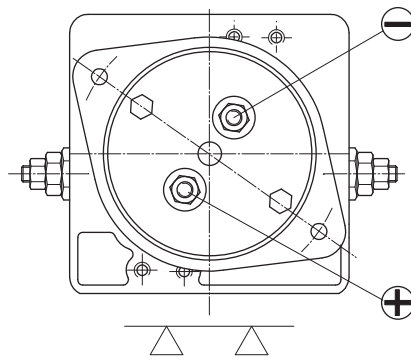
Mounting position 5



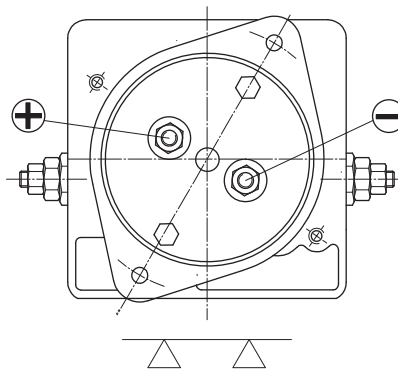
Position 6



Position 7



Position 8



For more details, features and performances DC motors, see catalog Dana Brevini cod. DOC00053.

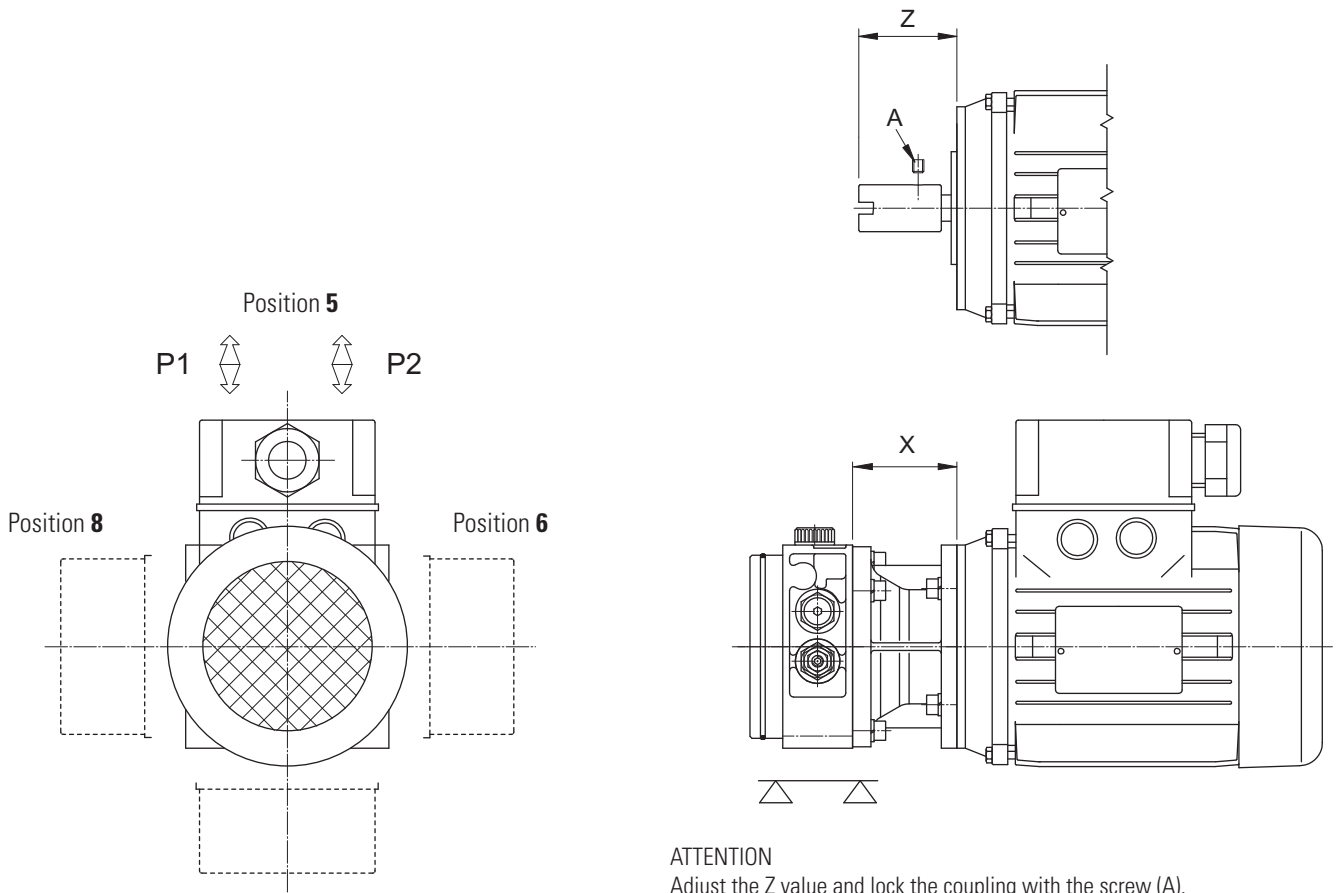
### ORDERING CODE

| M | ** | * | Code      | Description           | Motor    |
|---|----|---|-----------|-----------------------|----------|
|   |    |   | <b>GU</b> | Motor 12VDC - 0.80 kW | 25021800 |
|   |    |   | <b>GZ</b> | Motor 24VDC - 0.80 kW | 25021900 |

| M | ** | * | Code     | Mounting position |
|---|----|---|----------|-------------------|
|   |    |   | <b>5</b> | Position 5        |
|   |    |   | <b>6</b> | Position 6        |
|   |    |   | <b>7</b> | Position 7        |
|   |    |   | <b>8</b> | Position 8        |

- DC motors permanent magnet
- Rotation CCW-CW
- Protection class IP54
- Insulation class F

## AC MOTOR - FRAME B14



**ATTENTION**

Adjust the Z value and lock the coupling with the screw (A).

- After the electrical connection, check the rotation direction for max 1 second (pump discharge), you will avoid irreparable damage to the pump.

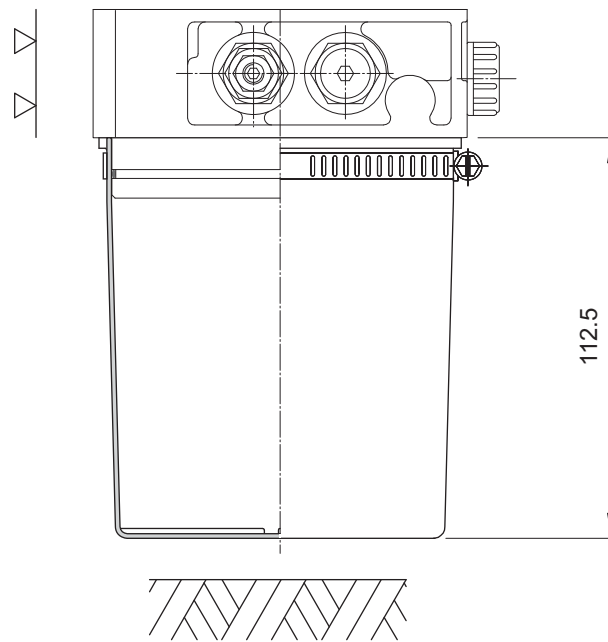
| Code     | Size | kW<br>(2 poles) | kW<br>(4 poles) | kW<br>(6 poles) | Z<br>(mm) | X<br>(mm) | Frame |
|----------|------|-----------------|-----------------|-----------------|-----------|-----------|-------|
| <b>R</b> | 63   | 0.18 ÷ 0.25     | 0.12 ÷ 0.18     | 0.09 ÷ 0.12     | 42.8      | 54.7      | B14   |
| <b>L</b> | 71   | 0.35 ÷ 0.55     | 0.25 ÷ 0.37     | 0.18 ÷ 0.25     | 42        | 53.9      |       |
| <b>M</b> | 80   | 0.75 ÷ 1.10     | 0.55 ÷ 0.75     | 0.37 ÷ 0.55     | 53        | 54.7      |       |

### ORDERING CODE

| M | * | * | Code     | Description      | Motor kit    |
|---|---|---|----------|------------------|--------------|
|   |   |   | <b>R</b> | Motore taglia 63 | KIT02008.001 |
|   |   |   | <b>L</b> | Motore taglia 71 | KIT02008.002 |
|   |   |   | <b>M</b> | Motore taglia 80 | KIT02008.003 |

| M | ** | * | Code     | Mounting position |
|---|----|---|----------|-------------------|
|   |    |   | <b>0</b> | Without motor     |
|   |    |   | <b>5</b> | Position 5        |
|   |    |   | <b>6</b> | Position 6        |
|   |    |   | <b>7</b> | Position 7        |
|   |    |   | <b>8</b> | Position 8        |

## NYLON TANK TK05

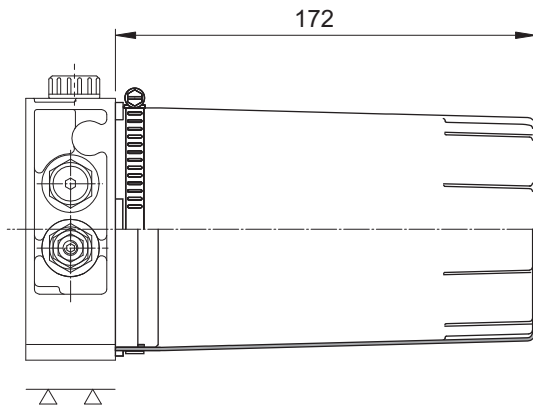


### ORDERING CODE

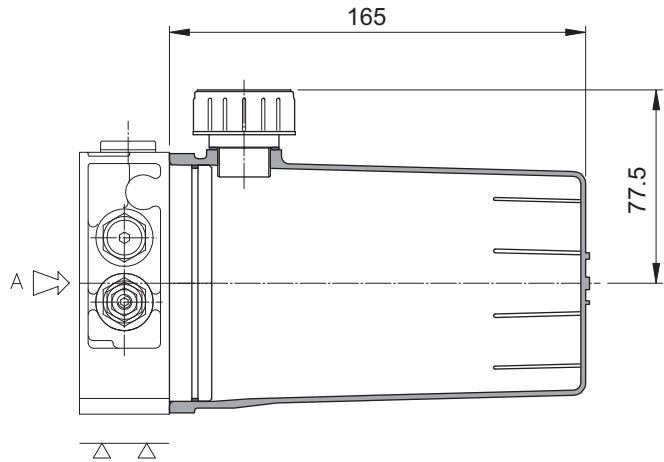
|   |      |             |                                  |                          |                 |   |   |             |                          |
|---|------|-------------|----------------------------------|--------------------------|-----------------|---|---|-------------|--------------------------|
| T | K05* | <b>Code</b> | <b>Capacity</b><br>(nominal lt.) | <b>Tank type</b>         | <b>Tank kit</b> | F | * | <b>Code</b> | <b>Mounting position</b> |
|   |      | K05         | 0.5                              | Nylon (visual oil level) | 90310177        |   |   | 02          | Vertical                 |

## NYLON TANK TK1 - TH1

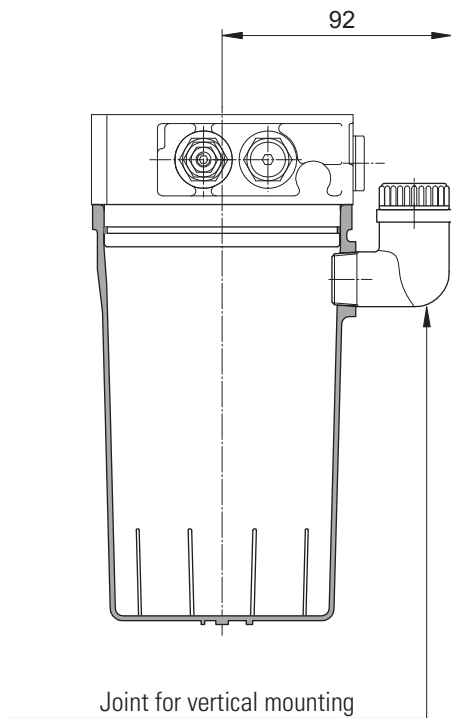
Tank **TK1** (horizontal)



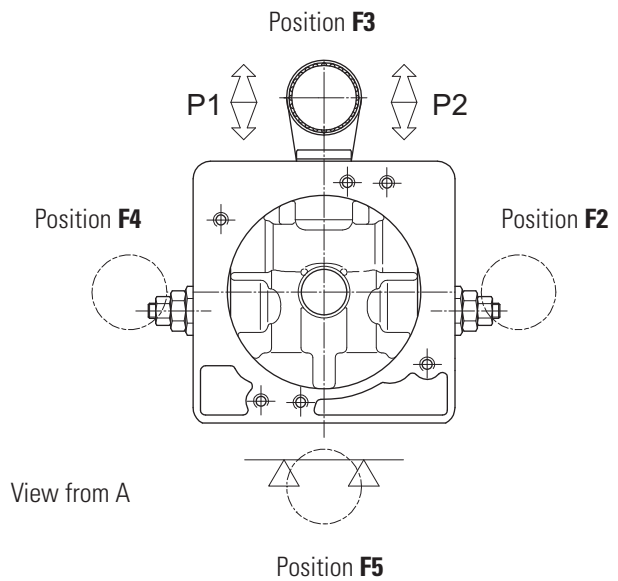
Tank **TH1** (horizontal)



Tank **TH1** (vertical)



### Mounting position

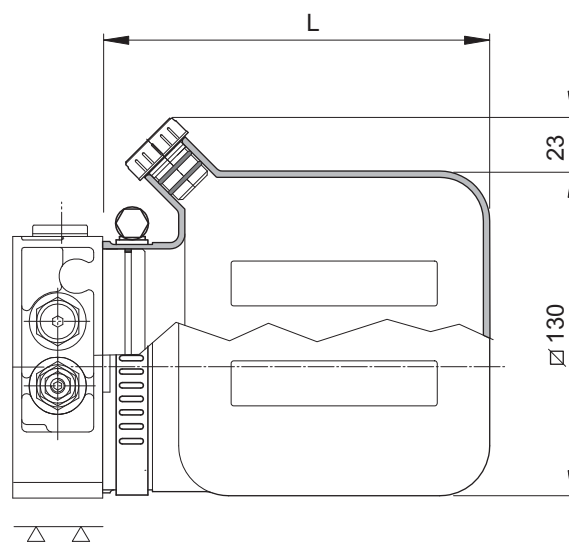


### ORDERING CODE

| T | * | * | Code      | Capacity<br>(nominal lt.) | Tank type  | Tank kit               |
|---|---|---|-----------|---------------------------|--|------------------------|
|   |   |   | <b>K1</b> | 1                         | Nylon<br>(visual oil level)                                    | 90310104               |
|   |   |   | <b>H1</b> | 1                         | Nylon tank reinforced<br>with fiberglass<br>(visual oil level) | 90310065<br>Horizontal |
|   |   |   |           |                           |  | 90310066<br>Vertical   |

| F | * | Code     | Type | Mounting position |   |
|---|---|----------|------|-------------------|---|
|   |   |          | TK1  | TH1               |   |
|   |   | <b>0</b> | X    | —                 | Vertical without tank                     |
|   |   | <b>1</b> | X    | X                 | Horizontal                                |
|   |   | <b>2</b> | X    | X                 | Vertical<br>(referred to the filling cap) |
|   |   | <b>3</b> | —    | X                 |   |
|   |   | <b>4</b> | —    | X                 |   |
|   |   | <b>5</b> | —    | X                 |   |

## NYLON TANK Q1 - Q2



### ORDERING CODE

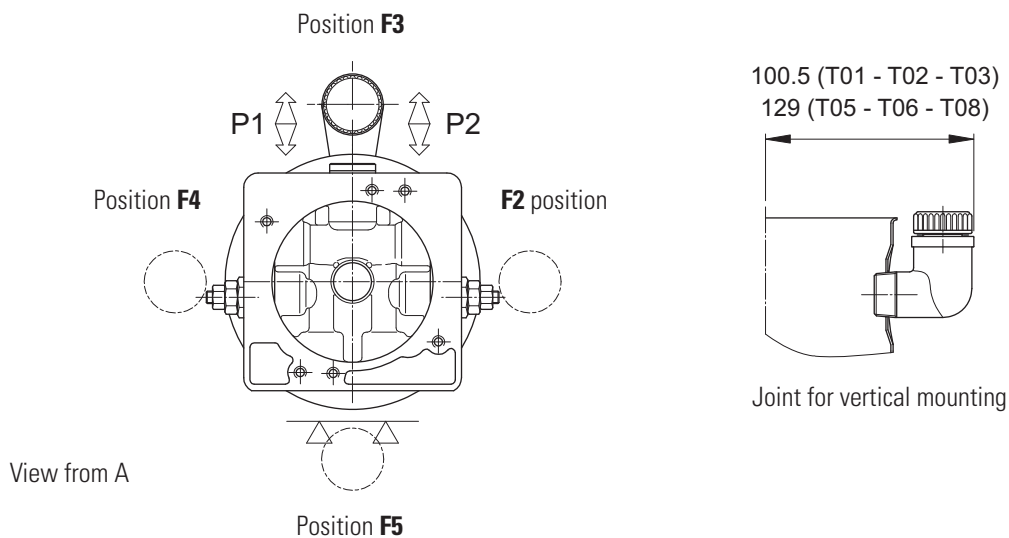
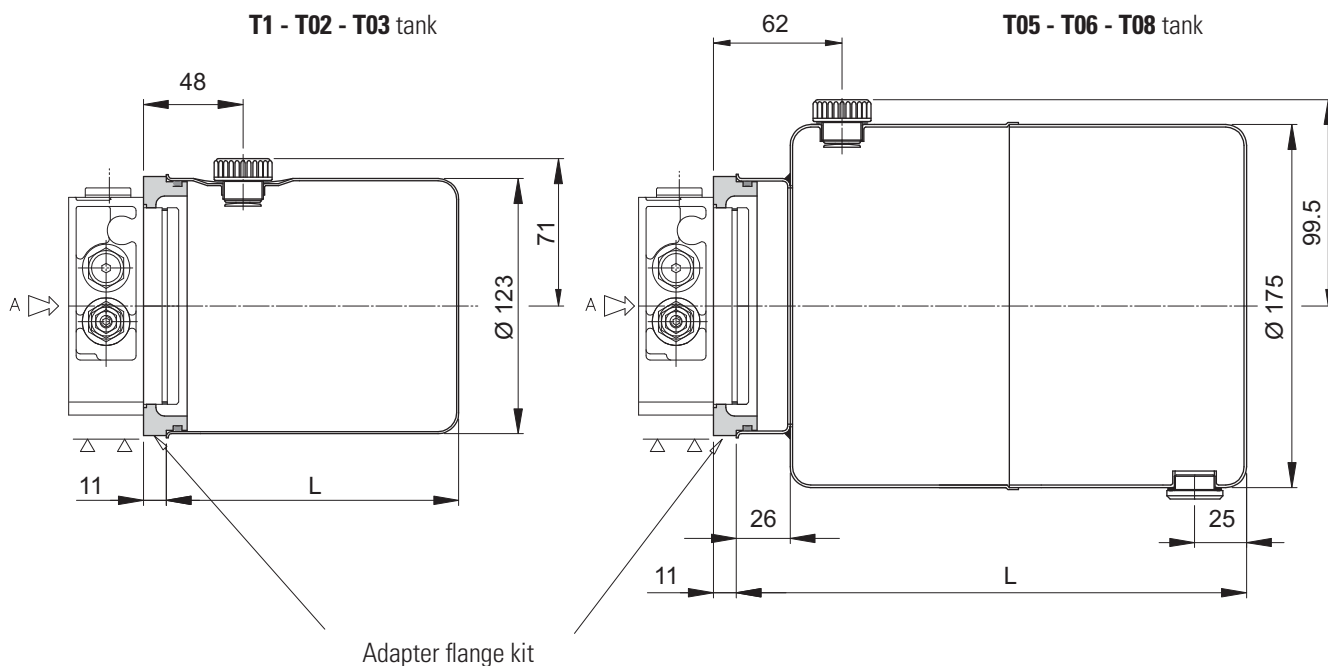
T \* \*

| Code      | Capacity<br>(nominal lt.) | Tank type                         | L<br>(mm) | Tank kit |
|-----------|---------------------------|-----------------------------------|-----------|----------|
| <b>Q1</b> | 1                         | In nylon (livello<br>olio visivo) | 155       | 90310278 |
| <b>Q2</b> | 2                         | In nylon (livello<br>olio visivo) | 223       | 90310279 |

F \*

| Code     | Mounting position                         |
|----------|---|
| <b>0</b> | Vertical without tank                     |
| <b>1</b> | Horizontal                                |
| <b>2</b> | Vertical<br>(referred to the filling cap) |
| <b>3</b> |   |
| <b>4</b> |   |
| <b>5</b> |   |

## STEEL TANKS T01 - T02 - T03 - T05 - T06 - T08



### ORDERING CODE

| T | * | * | Code | Capacity<br>(nominal lt.) | Tank<br>type | L<br>(mm) | Tank kit   |          | Flange<br>kit |
|---|---|---|------|---------------------------|--------------|-----------|------------|----------|---------------|
|   |   |   |      |                           |              |           | horizontal | vertical |               |
|   |   |   | 01   | 1                         | Steel        | 141       | 90310000   | 90310009 | 17010022      |
|   |   |   | 02   | 2                         | Steel        | 200       | 90310001   | 90310010 |               |
|   |   |   | 03   | 3                         | Steel        | 330       | 90310002   | 90310011 |               |
|   |   |   | 05   | 5                         | Steel        | 246       | 90310003   | 90310012 | 17010051      |
|   |   |   | 06   | 6                         | Steel        | 308       | 90310004   | 90310013 |               |
|   |   |   | 08   | 8                         | Steel        | 370       | 90310005   | 90310014 |               |

| F | * | Code | Mounting position                         |
|---|---|------|---|
|   |   | 0    | Vertical without tank                     |
|   |   | 1    | Horizontal                                |
|   |   | 2    | Vertical<br>(referred to the filling cap) |
|   |   | 3    |   |
|   |   | 4    |   |
|   |   | 5    |   |











**BREVINI<sup>®</sup>**

*Motion Systems*

Code DOC00064 - Rev.05

**Dana Brevini S.p.A.**

Via Luciano Brevini 1/a

42124 Reggio Emilia

Tel. +39 0522 270711

Fax +39 0522 270660

[www.dana.com/brevini](http://www.dana.com/brevini)

[info@brevinifluidpower.com](mailto:info@brevinifluidpower.com)

